

Armored Sink 23" x 17" – U/M



Kitchen Sinks

Code: 1233 660

AISI 304 Stainless steel

Satin finish

Undermount

x cross bending for easy water draining



DETAILS

Edge/Installation Type Undermount

Series Quadra Armored

Texture Satin

Material AISI 304 stainless steel

Thickness 16 Gauge (1.5 mm)

Overall dimensions 23" x 17 1/4"

Bowl dimension 1 bowl 21" x 15 3/4"

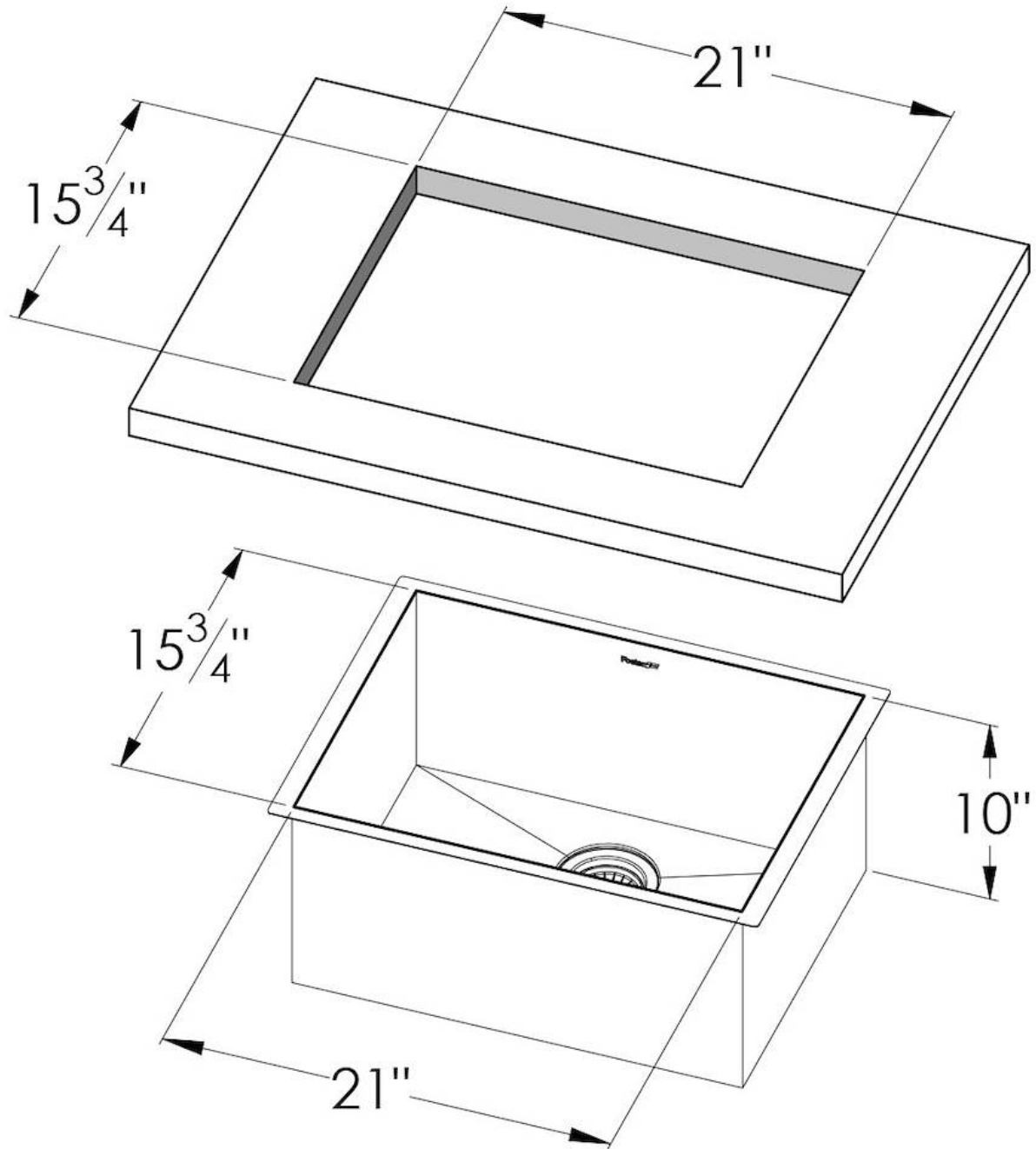
Bowls depth 10 "

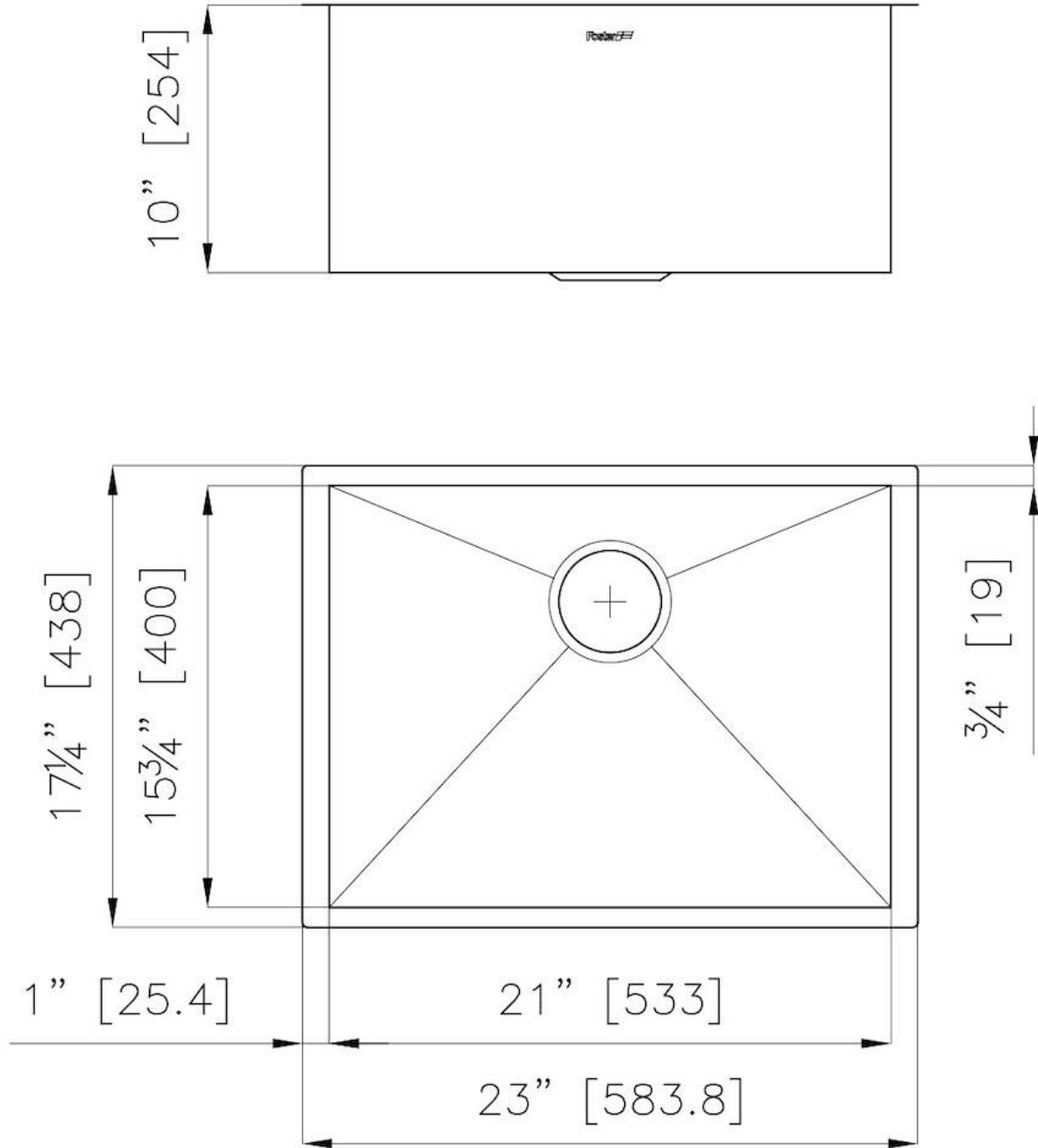
Cut out	21" x 15 ^{3/4} "
Waste fitting type	3 ^{1/2} " - with stainless steel basket
Bowls bottom	X cross bending for easy water draining
Underside	Protected with heavy duty undercoating
Fixing system	Undermount fixing kit (brass insert and clips)

FEATURES

Diamond-shape bottom	The draining of water is an important feature in a sink, and it's always taken good care of in Foster products. In the bent-welded sinks, which would have a flat bottom, the proper draining is guaranteed by the elegant beveling, which helps the water flow.
High thickness	1.5 mm thick steel. A significant thickness, which guarantees the maximum sturdiness and durability.
Basket 3,5" waste fitting	The drain is equipped with a large 3.5" drain, with the practical basket cap that prevents the discharge of solid parts.
Deep bowls	This bowls reach an important depth, over 20 cm, thanks to the advanced production technology, that can be offer great capieny and practicity in all the washing operations.

TECHNICAL DATA





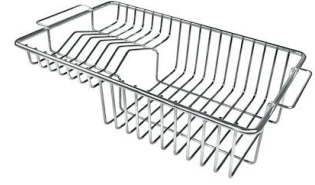
OPTIONAL ACCESSORIES



Waste disposer throat
8669 043



**Iroko-wood sliding chopping board
with stainless steel colander**
8644 044



Stainless steel plate rack
8100 201



Chopping Board
8631 300



White bowl
8153 100

RECOMMENDED PAIRINGS



Faucet Ponza
8497 025



Faucet Sicilia
8485 005



Milano Cooktop 4 burners inLine
7640 900



Milano Induction Cooktop 2 Plate
7323 945